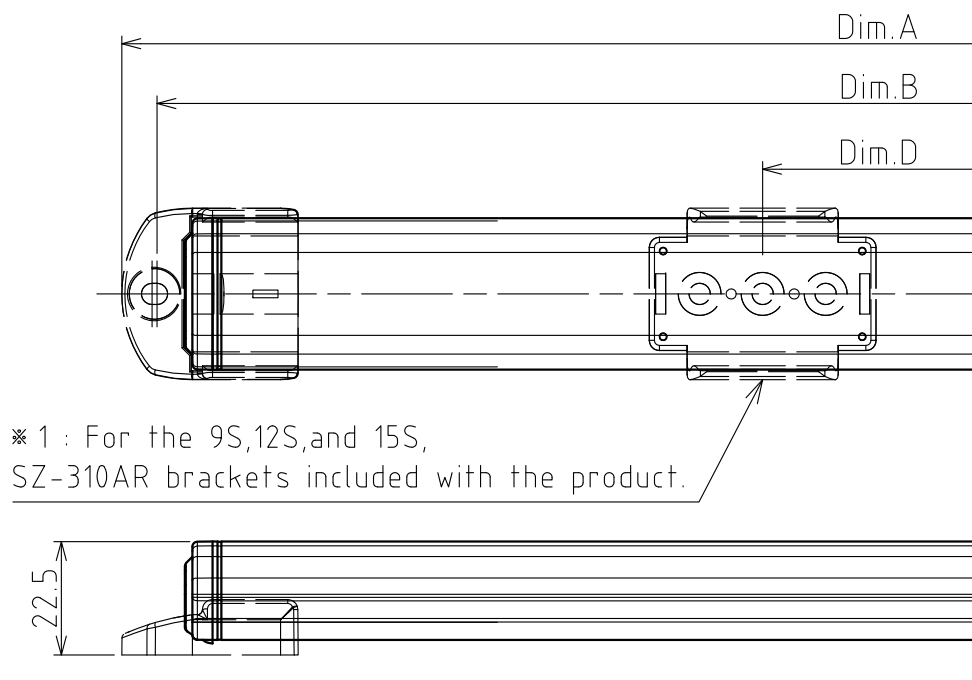


Dimensions



* 1 : For the 9S,12S,and 15S,
SZ-310AR brackets included with the product.

Product Mounting Appearance

[Specifications]

Model Nema	SZ-310AS
Material	Polycarbonate Resin
Mass	4.4 g
Mounting Direction	Indoor Use Only, Any Direction
Vibration Resistance	19.6m / s ²
Operating Temperature Range	-40℃ ~ +60℃ (No more than 90%RH, No Condensation)
Applicable Models	CLA Series
Compliance	RoHS(DIRECTIVE 2002/95/EC)

[Dimension Chart]

Model Name	Dim.A	Dim.B	Dim.D
	Maximum	Attachment Pitch	
CLA1S-	149	135	-
CLA2S-	249	235	-
CLA3S-	349	335	-
CLA6S-	649	635	-
CLA9S-	949	935	290 (* 1)
CLA12S-	1249	1235	390 (* 1)
CLA15S-	1549	1535	490 (* 1)

* 1 : For the 9S,12S,and 15S, please orientate the
two SZ-310AR brackets included with the product.

番号 No.	部品名 Part Name	品目コード Part No.	数量 Qty.	材料 & 寸法 & 処理 Material & Size & Finish	記事 Remarks
-----------	------------------	-------------------	------------	--	---------------

製品仕様書
Specifications
株式会社 パトライト
PATLITE Corporation
SZ-310AS-W18A