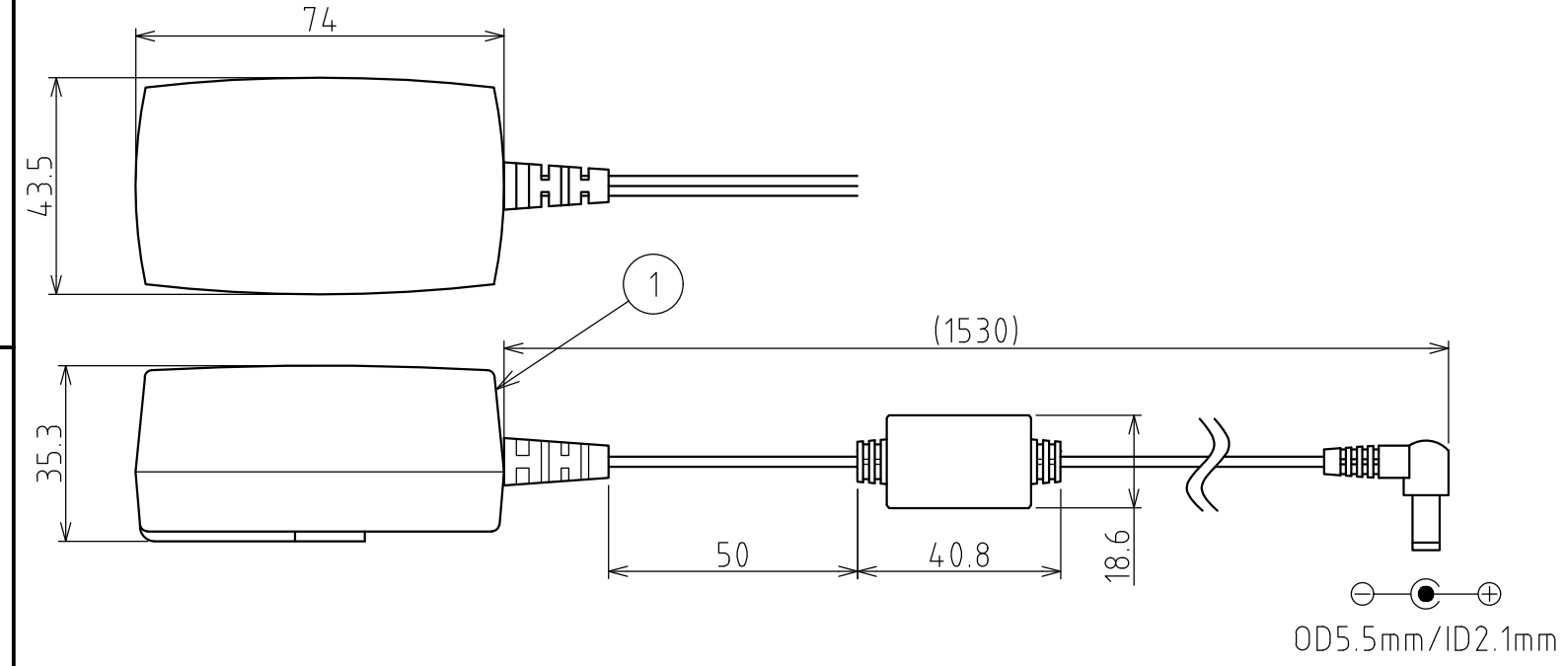


MODEL No. Configuration

ADP-001□

(empty) : Extension Cord not included  
 C : Extension Cord included

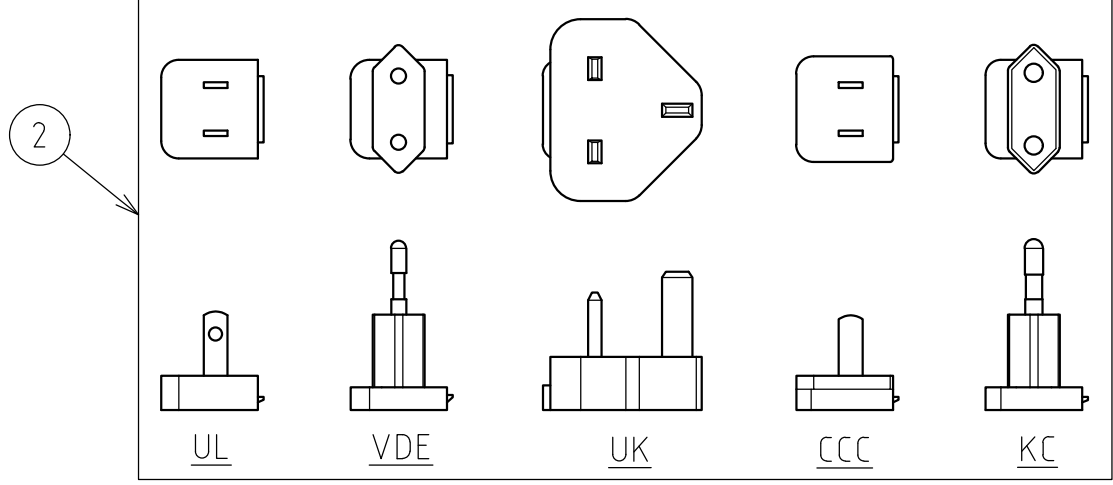


指定公差 General Tolerance	角度公差 Angular tolerance ±[°]			寸法公差 Dimensional tolerance ±[mm]							
	短辺長さ Length of short side	~	~	100	6	30	120	300	1000		
	精 f	1	0.5	0.3	0.1	中 m	0.1	0.3	0.5	0.7	1
	粗 v	3	1.5	1	0.5	粗 c	0.3	0.5	1	1.2	2

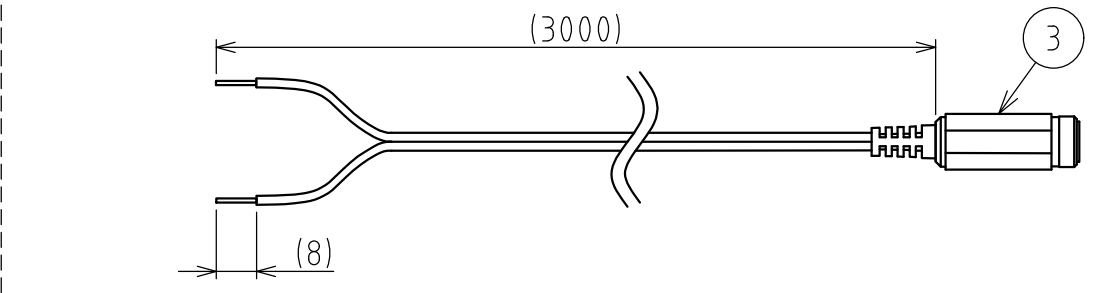
図番 Drawing No.	ADP-001-W18	
改訂 Rev.	年月日 Date	改訂履歴 Revisions

Accessory

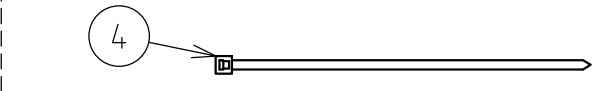
● AC Plug



● Extension Cord



● Cable Tie



\* Only ADP-001C included

Specifications

Rated Input	AC100V - 240V 50/60Hz	
Rated Output	DC24V 1A	
Operating Ambient Temperature	0 - 40°C	
Storage Ambient Temperature	-10 - 70°C	
Mounting Location	Indoor Only	
Mass	AC Adaptor	123 ±15g
	AC Plug	UL:Approx.7g, VDE:Approx.15g, UK:Approx.16g, CCC:Approx.7g, KC:Approx.17g
	Extension Cord	Approx.38g
Conformity Standards and Certification	PSE UL Listed (File No.E163743) KC / CCC / BSMI U.S.Department of Energy(DOE) & California's Energy Efficiency Standards LEVEL VI Natural Resources Canada(Nrcan) Energy Efficiency Regulations Code of Conduct on Energy Efficiency of External Power Supply Version 5 (CoC Tier2) FCC Part 15 Subpart B class B EN 62368-1, EN 55032, EN 55035, EN IEC 63000	
Remarks	Conforms to the CE Requirements Conforms to the UKCA Requirements	

1	AC Adaptor	1	
2	AC Plug	5	UL,VDE,UK,CCC,KC
3	Extension Cord	1	UL2468 AWG22
4	Cable Tie	1	
番号 No.	部品名 Part Name	数量 Qty.	記事 Remarks

機種 Model	ADP-001(C)	特注 No. S.P.No.	-
図名 Name	Specifications		
品目コード Part No.	-	尺度 Scale	三角法 3rd Angle P.
単位 Unit	mm	株式会社 パトライト PATLITE Corporation	