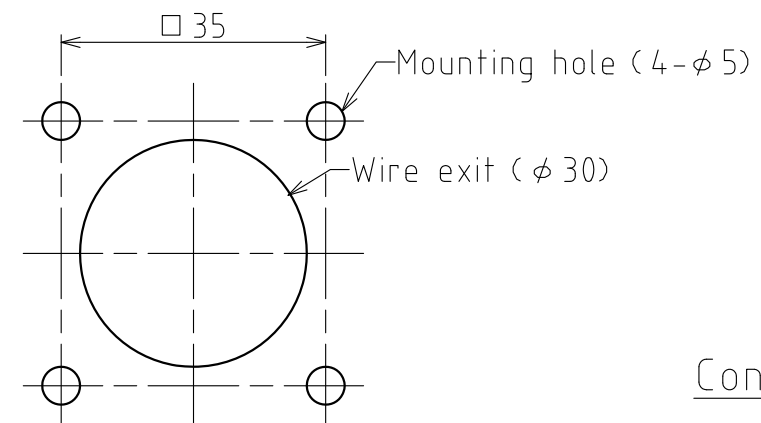
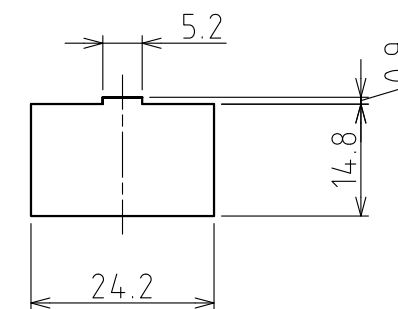


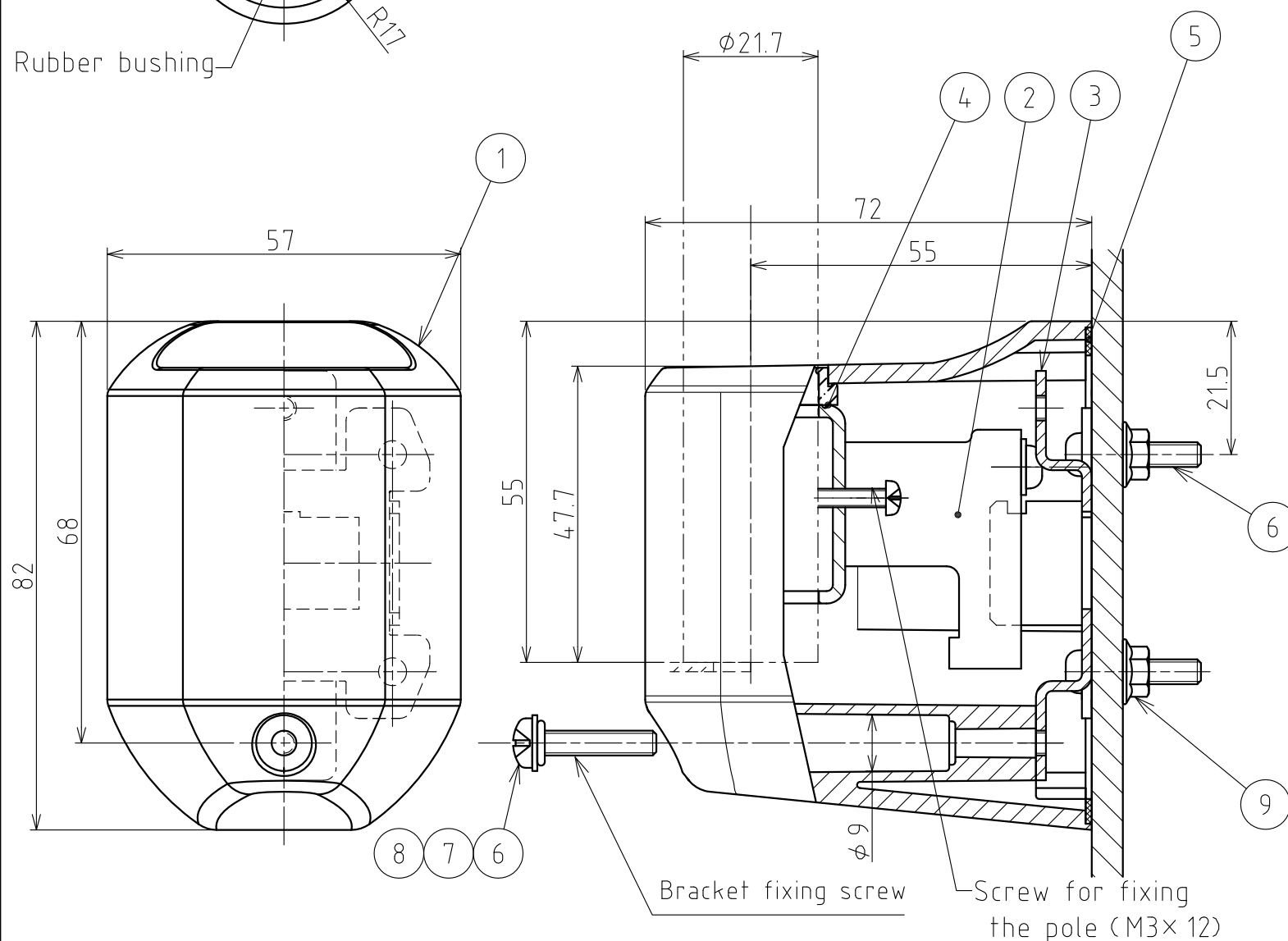
Rubber bushing



Mounting hole template



Connector mounting hole



Dimensions

[Note]

1.This optional part can be used for the production which φ 21.7 carried out pole attachment.

2.In use of a relay connector use the following optional part.

Optional part : SZ-020-001 Model

Connector : EL 12 Poles Model (J.S.T. MFG CO LTD )

9	Hexagon nut with flange	-	4	M4 / MFZn-C	
8	O-ring	-	1	NBR	
7	Flat washer	-	1	4 / MFZn-C	
6	+ Pan head screw	-	5	M4x20 / MFZn-C	
5	Water proof sheet	-	1	t3	Black
4	Rubber bushing	-	1	CR	Gray
3	Installaton angle	-	1	SECC-C / t1.6	
2	Chassis	-	1	SECC-C / t2.0	
1	Bracket	-	1	ABS	Light grey
番号 No.	部品名 Part Name	品目コード Part No.	数量 Qty.	材料 & 寸法 & 処理 Material & Size & Finish	記事 Remarks

製品仕様書  
Specifications

株式会社 パトライト  
PATLITE Corporation

SZ-020-W18A