

SPECIFICATIONS

Model	SKHE-12	SKHE-24
Rated Voltage	12V DC	24V DC
Operating Voltage Range	10.8V~13.2V DC	21.6V~26.4V DC
Rated Current Consumption	0.22A or less	0.16A or less
Rated Power Consumption	3.0W or less	3.6W or less
Flashing Rate	120 ±25 Flashes Per Minute	
Operating Ambient Temperature	-10°C ~ +50°C	
Protection Rating	IP23 (IEC 60529)	
Vibration Resistance	Acceleration 70m/s ² Frequency range 30Hz	
Insulation Resistance	More than 1MΩ at 500VDC between the terminals and the chassis	
Withstand Voltage	500VAC applied for 1min between terminals and chassis without breaking insulation	
Luminous Intensity	Red : 3000cd or more	
	Yellow : 3000cd or more	
	Green : 2500cd or more	
	Blue : 2000cd or more	
Mass (Tolerance ±10%)	0.4kg	
Mounting Location	Indoors / Outdoors	
Mounting Direction	Indoor : Upright, Inverted & Sideways Outdoor : Upright	
Conformity Standards	EMC Directive (EN 61000-6-4, EN 61000-6-2) RoHS Directive (EN 50581)	
No.SKHE-24-W18B-1_2		
[Remarks]		
<ul style="list-style-type: none"> • Conforms to the CE requirements 		
PATLITE Corporation		

Model No. Configuration

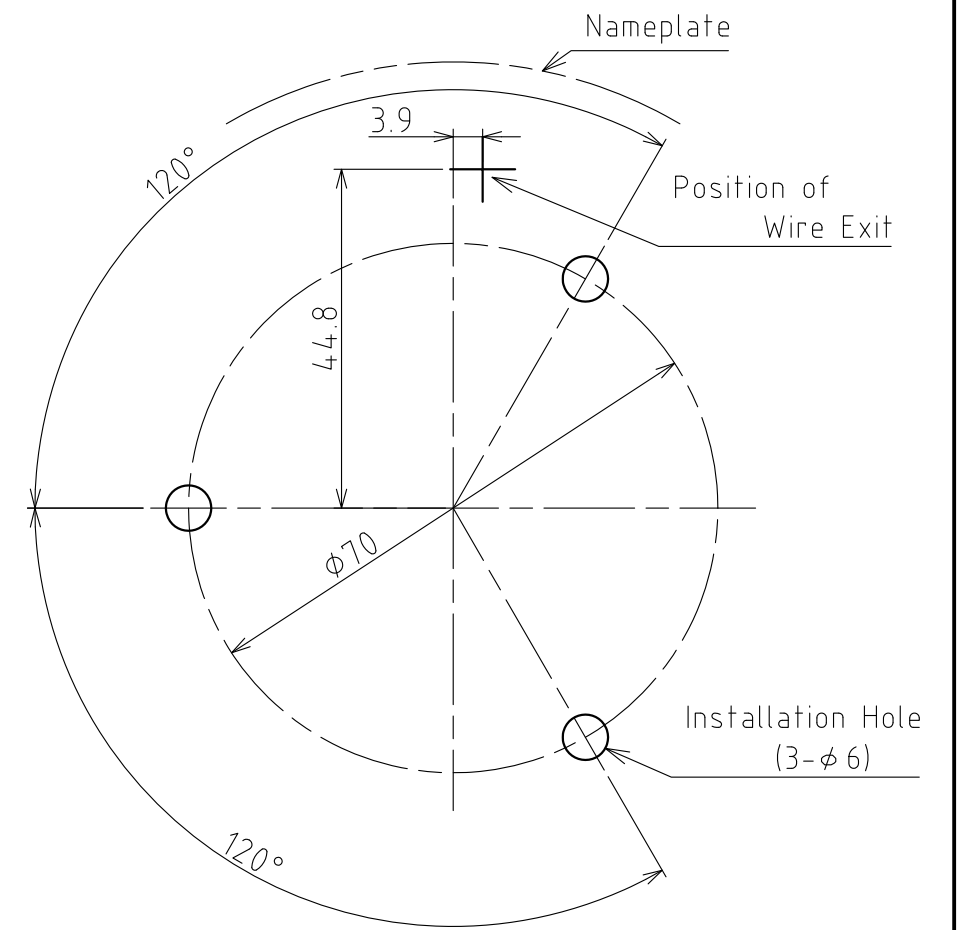
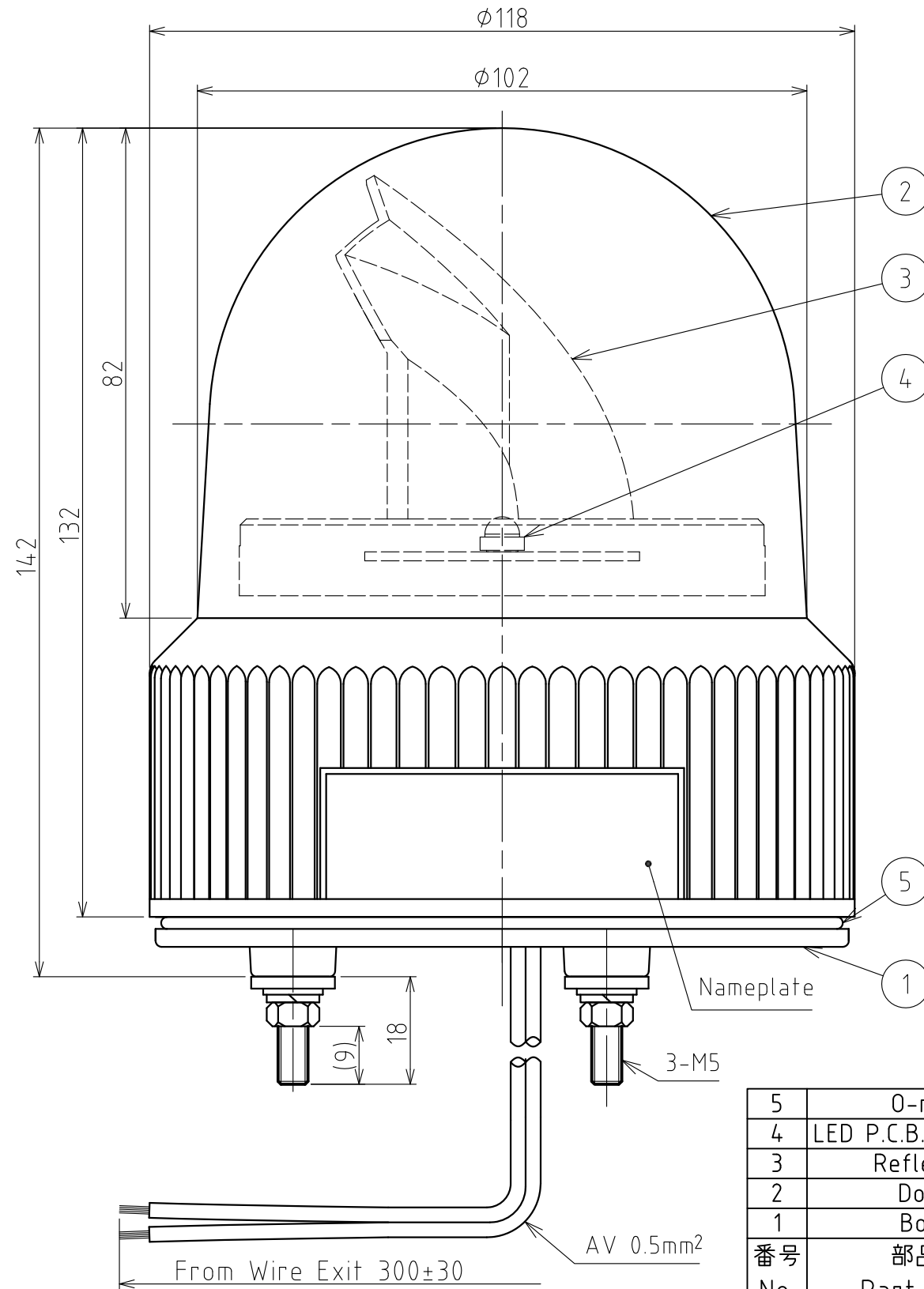
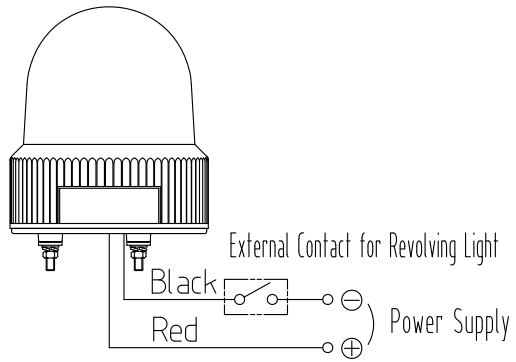
SKHE-□-□

Rated Voltage
12: 12V DC
24: 24V DC

Color
R:Red
Y:Amber
G:Green
B:Blue

Wiring Example

SKHE-12/24-□



Dimension of Installation

[Notes]

- The position of the name plate should not be same depending on the tightening condition of the dome.

5	O-ring		1	Si	
4	LED P.C.B. assembly		1		
3	Reflector		1	PC/Aluminum coating	
2	Dome		1	AS (Red,Amber, Green,Blue)	
1	Body		1	ABS (Black)	
番号 No.	部品名 Part Name	品目コード Part No.	数量 Qty.	材料 & 寸法 & 処理 Material & Size & Finish	記事 Remarks

外観図面
Outer Dimension Drawing

株式会社 パトライト
PATLITE Corporation

SKHE-24-W18B-2_2