

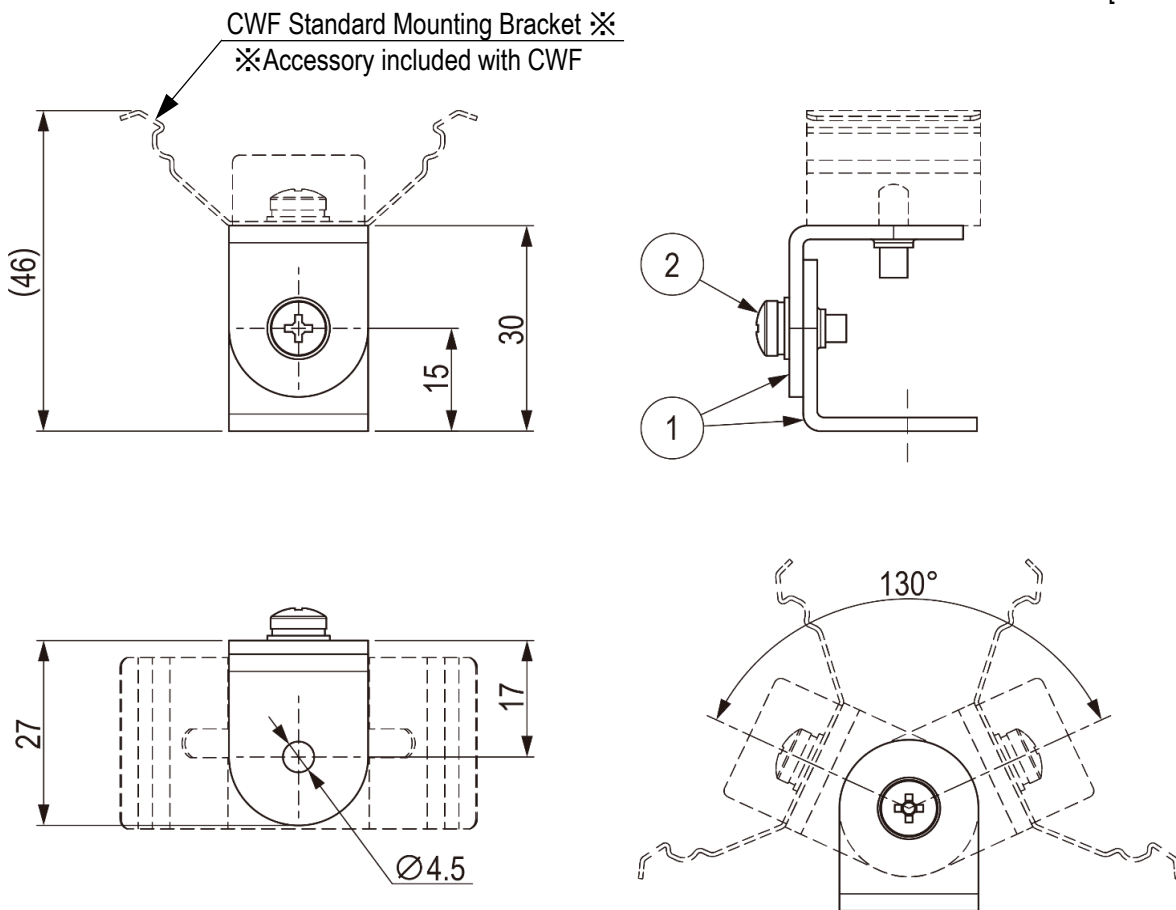
<h1>SPECIFICATIONS</h1>		

[General Specifications]

Product Name	Swivel Bracket
Model	CFW-001
Compatible Models	Type CWF (LED Work Light)
Mounting Location	Indoor
Mounting Direction	All Directions
Mass (Tolerance $\pm 10\%$)	26 g (1 pcs.)
Outer Dimensions	Refer to the Outer Dimension Drawing
Quantity	1 pair
Remarks	There are no contents of controlled substances exceeding the threshold for the RoHS Directive.

[Outer Dimension Drawing]

[Unit : mm]



Number	Name	Material etc
1	Bracket	SUS304 , t2.0
2	Cross Recessed Pan Head Screw with Spring	SUS , M4x10

生産終了
 Production end